

DDZ5230DN Series

High definition PTZ network camera, 2 MP, H.265, Day/Night, WDR/HDR, PoE+, 30x optical zoom, dome housing



The cameras of the DDZ5230DN series are high-speed PTZ network cameras with 30x optical zoom. They are equipped with a high-performance pan/tilt/zoom mechanism and provide real-time high-definition video with up to 60 fps at a resolution of up to 2 MP. The most advanced sensor and encoder technology and the sophisticated image processing provide recordings with excellent contrast, brilliant clarity as well as highest detail resolution and color fidelity.

Domera® OS

The cameras are equipped with the hardened Linux operating system Domera® OS. In addition to a kernel with long-term support, it offers extensive security functions such as the deactivation of unused ports or the enforcement of strict passwords. In addition, Domera® OS supports secure network authentication (IEEE 802.1X) and encrypted data transmission (TLS 1.2/AES-256). All software components are subject to permanent monitoring, maintenance and updating, while the effectiveness of all measures is ensured by regular external penetration tests.

PTZ home position EdgeAnalytics

In the PTZ home position, the camera optionally supports the use of the EdgeAnalytics Essential Apps based on Deep AI object classification. The Essential Apps offer the full range of functions already integrated in the 6000 camera series in the home position and deliver precise results for triggering actions with the integrated Domera® event management, even under difficult conditions (backgrounds with greenery, water surfaces, etc.).

Event-controlled recording

Dallmeier recording systems usually record the video stream of PTZ cameras permanently. If the EdgeAnalytics Essential Apps are used in the PTZ home position, it is possible to switch to event-controlled recording. In this case, when leaving the home position, the entire camera pan is recorded as well as every object detected in the new position.

Wide Dynamic Range

The camera offers a WDR function (also known as High Dynamic Range (HDR)) for optimal recording of scenes with very bright and dark areas. The resulting video stream offers much more detail in both light and dark areas and is visually very close to the human eye's perception.

EdgeStorage

The camera is equipped with a RAM memory that is used by the EdgeStorage function to store the video stream in case of a network failure (e.g. Spanning Tree, Bursts). When the network is restored, the SmartBackfill function ensures fast transmission to the Dallmeier recording system. This stores the video stream with high speed and then continues to record the live stream seamlessly.

Variants

The dome cameras of the DDZ5230DN series are offered in an in-ceiling or surface mount housing for indoor use. Additionally, a robust variant for outdoor use with passive heating is available. All models can be supplied conventionally with an external power supply unit or conveniently Power over Ethernet (PoE+).

Further features

- High-speed pan/tilt/zoom mechanism
- 30x optical zoom with auto-focus
- Digital image stabilization (EIS)
- Memory expansion with SD card
- Video compression H.264, H.265, MJPEG
- 128 programmable preset positions
- GDPR-compliant functions for data protection and security
- Outdoor variant with Passive Heating (waste heat)
- Compatible with ONVIF Profile S and Profile T
- Network protocol MQTT supported

DDZ5230DN Series

High definition PTZ network camera, 2 MP, H.265, Day/Night, WDR/HDR, PoE+, 30x optical zoom, dome housing

In-Ceiling Mount Variant



009080

DDZ5230DN Indoor IM

High definition PTZ network camera, 2 MP, H.265, Day/Night, WDR/HDR, PoE+, 30x optical zoom, dome housing, in-ceiling mount variant

Surface Mount Variant



009081

DDZ5230DN Indoor SM

High definition PTZ network camera, 2 MP, H.265, Day/Night, WDR/HDR, PoE+, 30x optical zoom, dome housing, surface mount variant

Outdoor Variant



009082

DDZ5230DN Outdoor

High definition PTZ network camera, 2 MP, H.265, Day/Night, WDR/HDR, PoE+, 30x optical zoom, dome housing, outdoor variant

Accessories for Outdoor Variant



009128

DDZ Outdoor Wall Bracket L

Bracket for the installation of a DDZ5230DN outdoor camera on walls, internal cable routing, powder-coated, white



009129

DDZ Outdoor Ceiling Bracket 25

Bracket for the installation of a DDZ5230DN outdoor camera on ceilings, internal cable routing, length 25 cm, powder-coated, white

Included Support and License Interval

PTZ Camera Support and License Interval Basic

License for the use of the support services of the Support Level Basic for 60 months, license for the update of Domera® OS with updates, upgrades and security updates¹⁾ for 12 months, license for the update of neural networks for object classification for 12 months, bring-in warranty for 24 months

Optional Support and License Interval

009143 PTZ Camera Support and License Interval Premium (Total of 60 Months)

License for the use of the support services of the Support Level Premium for 60 months
license for the update of Domera® OS with updates, upgrades and security updates¹⁾ for 60 months
license for the update of neural networks for object classification for 60 months
unlimited license for the use of EdgeAnalytics AI Apps (Essentials) with object classification

Optional Maintenance

009144 PTZ Camera Software Maintenance (Plus 12 Months)

License for the update of Domera® OS with updates, upgrades and security updates¹⁾ for 12 months, license for the update of neural networks for object classification for 12 months.

Optional License

009145 DLC - PTZ Camera EdgeAnalytics AI Apps (Essentials)

Perpetual license for the use of EdgeAnalytics AI Apps (Essentials) with object classification in the PTZ home position (AI Motion Detection, AI Tamper Detection, AI Loitering Detection, AI Intrusion Detection, AI Line Crossing, AI People Counting, AI Vehicle Counting)

1) Security updates for relevant CVE vulnerabilities that become known will be provided (subject to technical feasibility) for the entire runtime of the software maintenance.

DDZ5230DN Series

High definition PTZ network camera, 2 MP, H.265, Day/Night, WDR/HDR, PoE+,
30x optical zoom, dome housing

Sensor	
Type	1/2.8" CMOS
Number of sensor pixels	2MP
Light sensitivity	0.05 lux (F1.8, AGC ON)
Dynamic range	WDR/HDR
Lens	
Zoom	30x optical / 2.5x digital
Focal length	4.5 – 135 mm
Aperture range	F1.8
IR corrected	Yes
Available angle of view at wide end (H x V)	59.4° x 46.1°
Available angle of view at tele end (H x V)	2.4° x 1.8°
PTZ Functions	
Pan range	0° to 360° endless
Tilt range	0° to 180° (-10° to 190° optional)
Auto Flip	Supported
Pan speed	Manual speed 0.1° – 90°/s Preset speed 400°/s
Tilt speed	Manual speed 0.1° – 55°/s Preset speed 300°/s
Speed adjustment	Supported
Presets	128
Patrols	32 (each with up to 32 presets)
Format and Encoding	
Video standard	SDTV (PAL/NTSC) HDTV (SMPTE 296M, SMPTE 274M)
Resolution 4:3	1.9 MP (1600 x 1200) @ 50/60 ²⁾ fps 1.5 MP (1440 x 1080) @ 50/60 ²⁾ fps 1.2 MP (1280 x 960) @ 50/60 ²⁾ fps
Resolution 16:9	1080p (1920 x 1080) @ 50/60 ²⁾ fps 720p (1280 x 720) @ 50/60 ²⁾ fps 720 x 400 @ 50/60 ²⁾ fps 352 x 200 @ 50/60 ²⁾ fps
Video compression	H.264, H.265, MJPEG
Frame rate	Up to 60 ²⁾ fps
Video bit rate	Encoder 1: 1 – 12 Mbps Encoder 2: 0.1 – 12 Mbps
Bitrate mode	CBR (constant bit rate), VBR (variable bit rate), each with priority setting for image quality ³⁾
Audio compression	G.711, AAC, Opus
Audio sample rate	8, 16, 24 or 48 kHz
Audio bit rate	48, 64 or 96 kbps
Live streaming transmission method	Unicast, Multicast
Number of live streams / clients	Up to 5 streams with up to 8 Mbps simultaneously

2) 60 fps is available only when WDR/HDR is disabled.

3) If the total available bit rate is not sufficient, not the image quality but the number of frames is adjusted.

DDZ5230DN Series

High definition PTZ network camera, 2 MP, H.265, Day/Night, WDR/HDR, PoE+,
30x optical zoom, dome housing

Functions	
Day/Night switching	Removable IR cut filter (ICR), switching threshold level adjustable
Black-and-white mode	Automatic (at low light or in night mode), On, Off
Automatic Electronic Shutter	1/1 – 1/30,000 s
Slow Shutter Limit	1/25 – 1/1,000 s
Lens control	Auto focus
Digital flip function	Horizontal, vertical or both axes
Digital Noise Reduction	3D-DNR (adjustable by 3 levels)
Exposure presets	Universal, Indoor, Outdoor, Casino, Low-Light, User-Defined (with automatic day/night switching)
Backlight compensation	Automatic (BLC), manual
Brightness adjustment	Automatic (ALC), manual
Gain control	Automatic (AGC) with adjustable Gain Limit
White balance	Automatic (ATW), manual
Image stabilization	Automatic (EIS)
Privacy Zone Masking	Up to 20 protected areas (up to 100% of the entire image) ⁴⁾
Alarm notification	Via DaVid protocol to PGuard advance
Alarm trigger	EdgeStorage status, contact input, certificate expiry, service interval
EdgeAnalytics AI Apps (Essentials) ⁵⁾	In the PTZ home position: AI Motion Detection, AI Tamper Detection, AI Loitering Detection, AI Intrusion Detection, AI Line Crossing, AI People Counting, AI Vehicle Counting ⁴⁾
EdgeAnalytics object classes	Person, animal ⁶⁾ , car, large vehicle, two-wheeler
EdgeAnalytics actions	PTZ action (preset/tour), switching of relays, audio output, message via MQTT, HTTP and e-mail

Protocols	
Ethernet protocols	IPv4 (ARP, ICMP, IGMPv2/IGMPv3), UDP, TCP, LLDP, CDP (v1,v2), DSCP (QoS), DNS, DHCP, NTP, HTTP/HTTPS ⁷⁾ , RTSP/RTP/RTCP, SNMP (v1, v2c, v3)
Ethernet protocols in preparation	IPv6 (NDP, ICMPv6, MLDv1/MLDv2, SLAAC, RDNSS), UDPv6, TCPv6, DNSv6, DHCPv6, LDAP
Communication protocols	DaVid, DaVidS, ONVIF Profile S, Profile T, SNMP (v1, v2c, v3)
Security	HTTPS ⁷⁾ encryption, SSL/TLS ⁷⁾ 1.2 (AES), network access control according to IEEE 802.1X ⁷⁾

Connections	
Ethernet	1x RJ45, 1000BASE-T (PoE+)
Power IN	1x Terminal Block
Audio Line IN	1x Terminal Block
Audio Line OUT	1x Terminal Block
Contact IN	4x Terminal Block
Relay OUT	2x Terminal Block

Electrical Data	
Voltage supply	24 V AC ±10% (50/60 Hz) 48 V DC ±5% PoE+
PoE standard	IEEE 802.3at
Power consumption	Max. 25 W

4) While controlling the lens (pan, tilt, zoom), slight shifts of the private zones and the marked areas for EdgeAnalytics may occur.

5) Optional license DLC - EdgeAnalytics AI Apps (Essentials) or AI Camera Support and License Interval Premium required.

6) If the lens is oriented vertically downwards, the object class "animal" is not available because the neural network is not yet trained for animal recognition from above.

7) This product includes software developed by the OpenSSL Project for use in the OpenSSL Toolkit (<http://www.openssl.org>) and cryptographic software written by Eric Young (ey@cryptsoft.com).

DDZ5230DN Series

High definition PTZ network camera, 2 MP, H.265, Day/Night, WDR/HDR, PoE+,
30x optical zoom, dome housing

Mechanical Data	In-Ceiling Variant	Surface Variant	Outdoor Variant
Dimensions	Approx. Ø 212 x H 264 mm	Approx. Ø 193 x H 270 mm	Approx. Ø 210 x H 279 mm (with sun shield)
Weight	Approx. 2.7 kg	Approx. 3.2 kg	Approx. 3.2 kg
Bubble	Clear	Clear	Clear
Material	Aluminium (housing ring plastic)	Aluminium	Aluminium (sun shield plastic)
IK protection	--	--	IK10
IP Class	--	--	IP66
Color	Black with white housing ring	White	White

Environmental Conditions	In-Ceiling Variant	Surface Variant	Outdoor Variant
Operating temperature	-25°C to +50°C	-25°C to +50°C	-25°C to +50°C
Relative humidity	10% - 90% RH, non-condensing	10% - 90% RH, non-condensing	10% - 90% RH, non-condensing

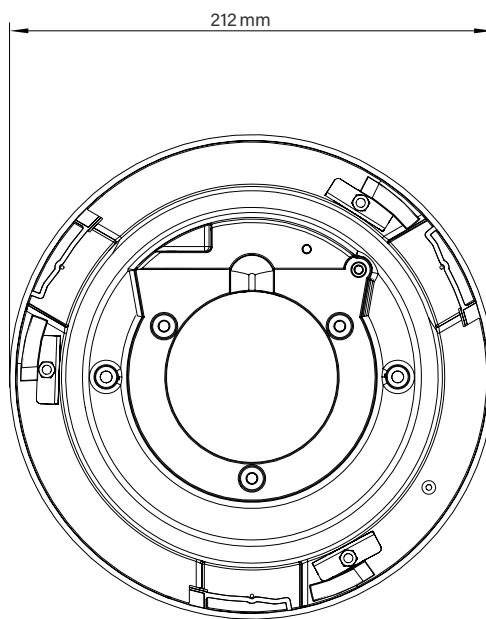
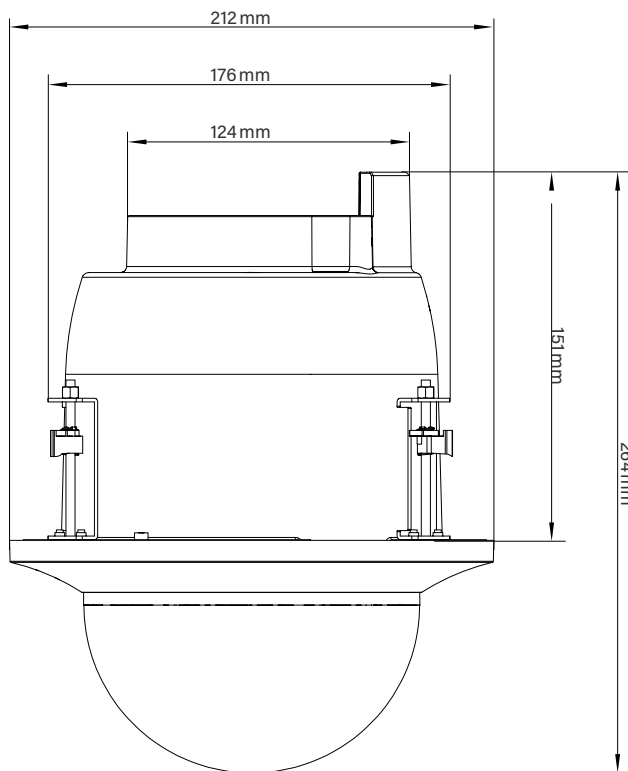
Compatibility	
Recording	SMAVIA Recording Server V8.x.x SMAVIA Recording Server V9.x.x SeMSy® Recording Server V10.x.x
Evaluation	SMAVIA Viewing Client SeMSy® Workstation Software SeMSy® Compact

Miscellaneous	
Ambient light sensor	Integrated
Local memory	30 MB RAM memory
Memory extension	microSDXC mind. Class 10, UHS Class 1, App Performance Class 1 (optional, adapter for SD slot 25 mm required)
Configuration and live video	Via web browser (all major platforms)
Languages	German, English
Programming interface	Open platform for integration into 3rd party systems using API
ONVIF compliance	Profile S, Profile T
GDPR compliance	Supported

Approvals/Certifications	
Type	CE, FCC, RCM

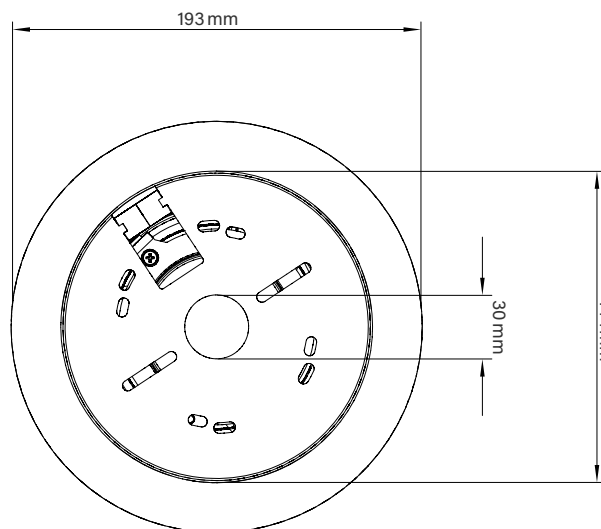
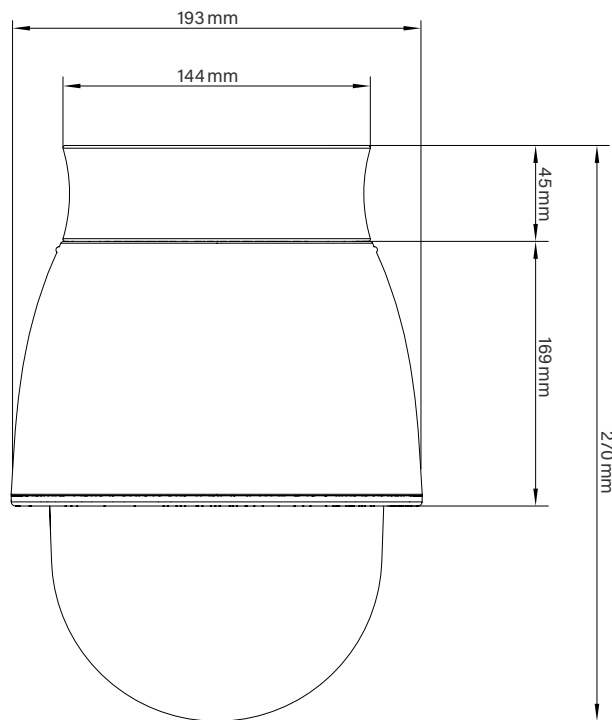
DDZ5230DN Series

High definition PTZ network camera, 2 MP, H.265, Day/Night, WDR/HDR, PoE+,
30x optical zoom, dome housing



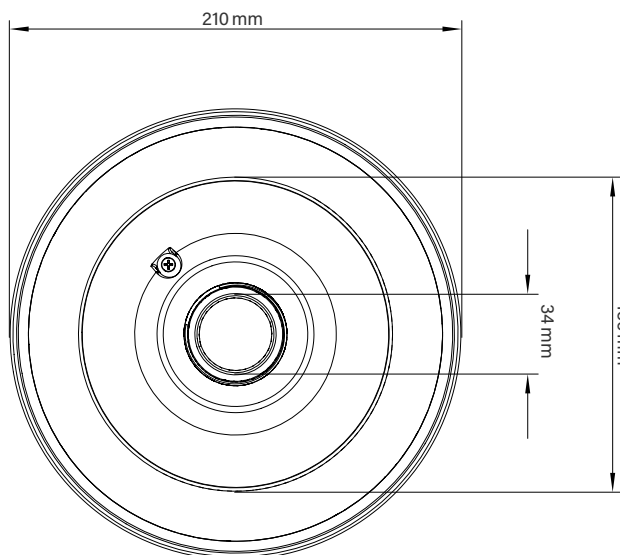
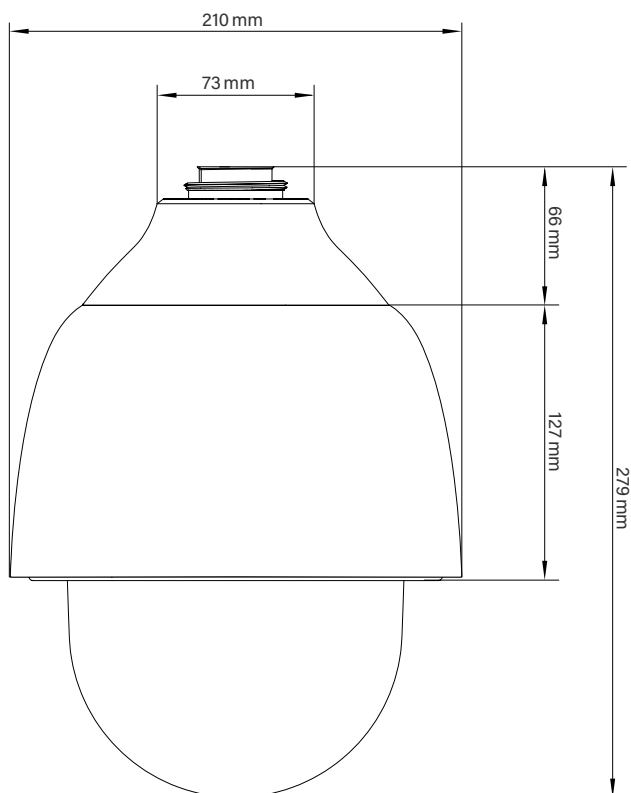
DDZ5230DN Series

High definition PTZ network camera, 2 MP, H.265, Day/Night, WDR/HDR, PoE+,
30x optical zoom, dome housing



DDZ5230DN Series

High definition PTZ network camera, 2 MP, H.265, Day/Night, WDR/HDR, PoE+,
30x optical zoom, dome housing



Dallmeier electronic GmbH & Co.KG | Bahnhofstr. 16, 93047 Regensburg, Germany | +49 941 8700-0 | dallmeier.com

All trademarks identified by * are registered trademarks of Dallmeier electronic GmbH & Co.KG.

Third-party trademarks are named for information purposes only. Dallmeier electronic respects the intellectual property of third parties and always attempts to ensure the complete identification of third-party trademarks and indication of the respective holder of rights. In case that protected rights are not indicated separately, this circumstance is no reason to assume that the respective trademark is unprotected.

Specifications subject to change without notice. Errors and misprints excepted. Pictures may differ from the actual product.



See more.